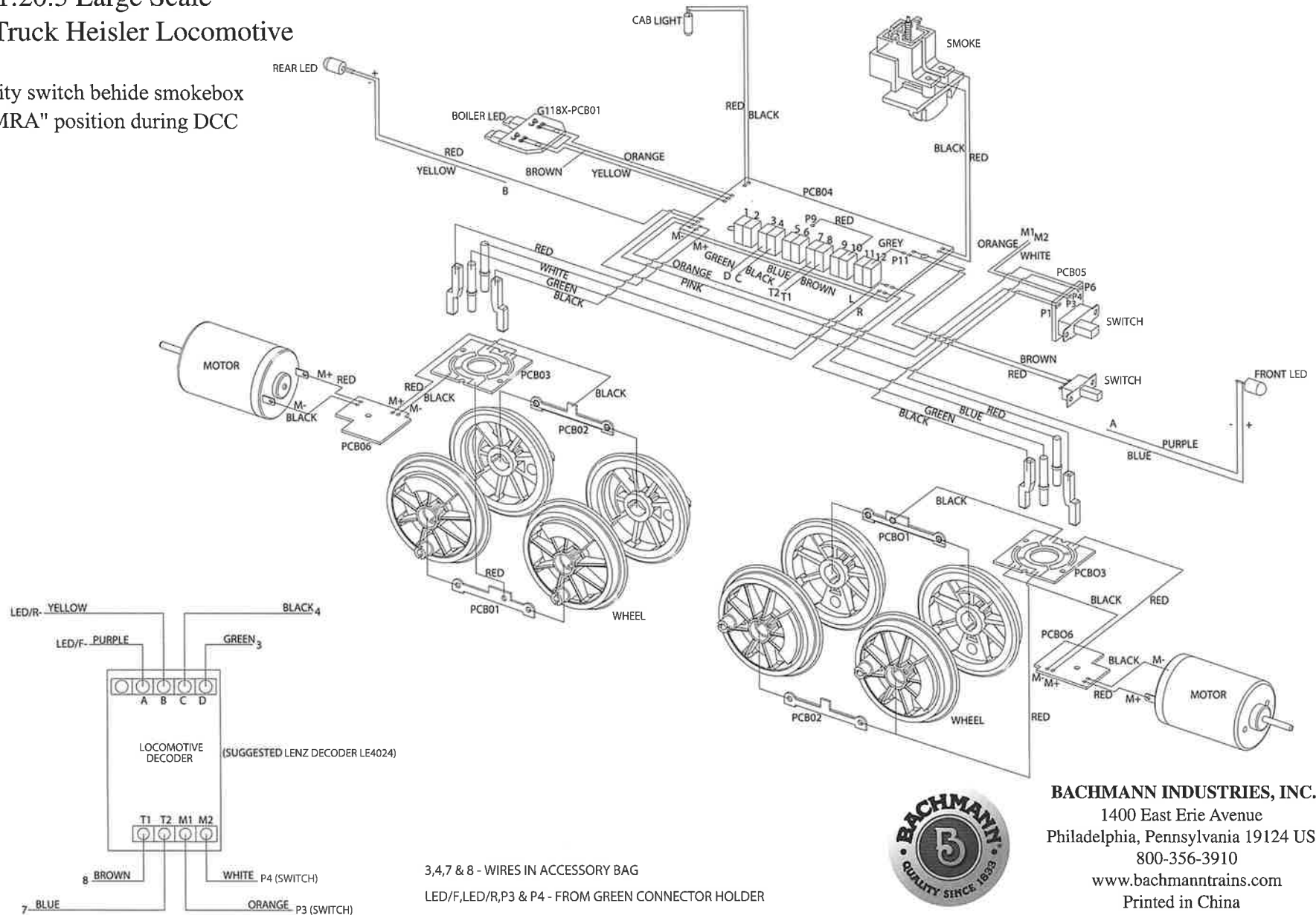


DCC Wiring Connection

1:20.3 Large Scale
Two-Truck Heisler Locomotive

Move polarity switch behind smokebox door to "NMRA" position during DCC operation



3,4,7 & 8 - WIRES IN ACCESSORY BAG
LED/F,LED/R,P3 & P4 - FROM GREEN CONNECTOR HOLDER

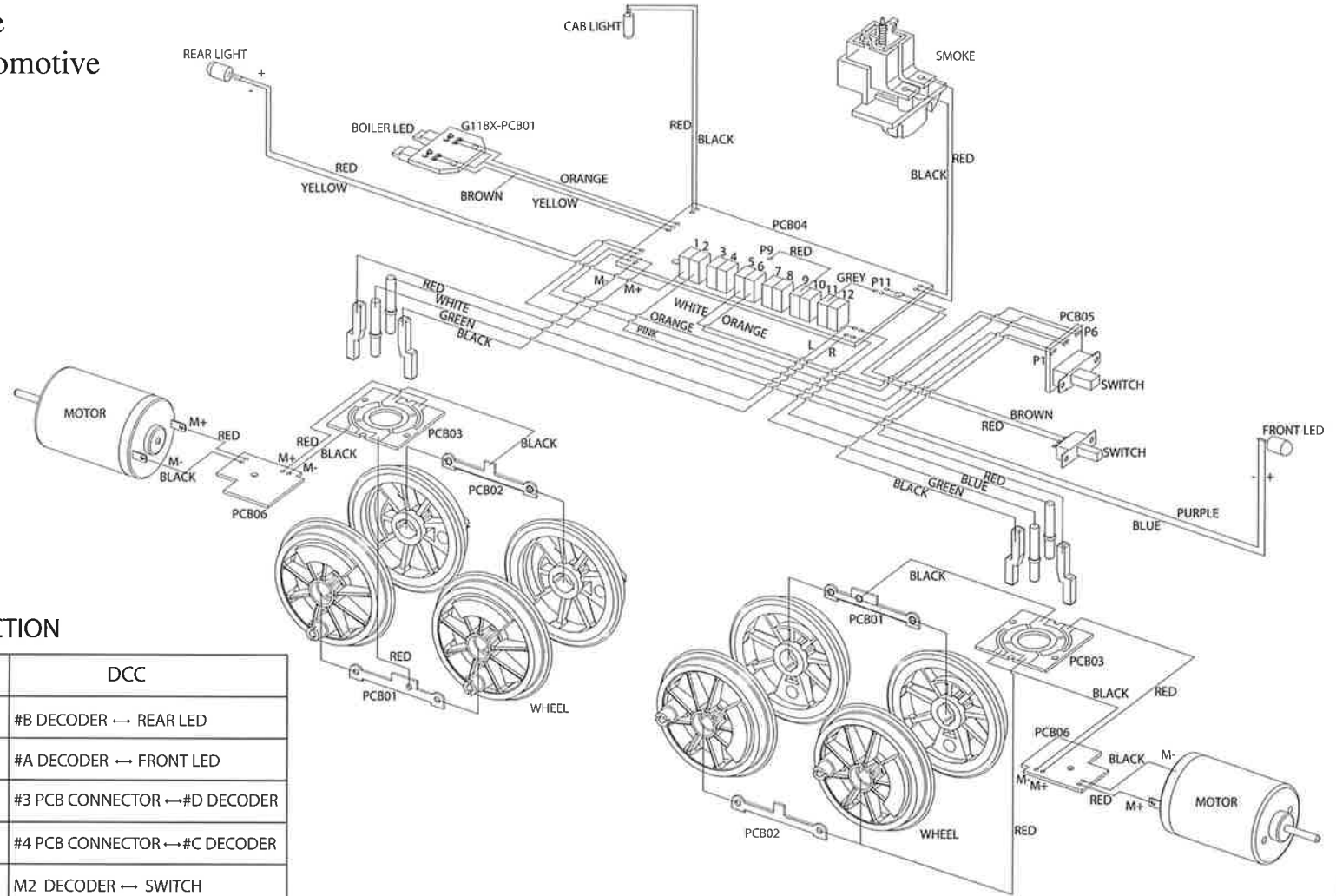


BACHMANN INDUSTRIES, INC.
1400 East Erie Avenue
Philadelphia, Pennsylvania 19124 USA
800-356-3910
www.bachmanntrains.com
Printed in China

G817X-IS006

DC Wiring Connection

1:20.3 Large Scale
Two-Truck Heisler Locomotive



WIRING CONNECTION

WIRES	DC	DCC
YELLOW	#1 PCB CONNECTOR → REAR LED	#B DECODER → REAR LED
PURPLE	#2 PCB CONNECTOR → FRONT LED	#A DECODER → FRONT LED
GREEN	IN ACCESSORY BAG	#3 PCB CONNECTOR → #D DECODER
BLACK	IN ACCESSORY BAG	#4 PCB CONNECTOR → #C DECODER
WHITE	#5 PCB CONNECTOR → SWITCH	M2 DECODER → SWITCH
ORANGE	#6 PCB CONNECTOR → SWITCH	M1 DECODER → SWITCH
BLUE	IN ACCESSORY BAG	#7 PCB CONNECTOR → T2 DECODER
BROWN	IN ACCESSORY BAG	#8 PCB CONNECTOR → T1 DECODER
RED	#9 PCB CONNECTOR → P9	#10 PCB CONNECTOR → P9
GREY	#11 PCB CONNECTOR → P11	#12 PCB CONNECTOR → P11



BACHMANN INDUSTRIES, INC.
1400 East Erie Avenue
Philadelphia, Pennsylvania 19124 USA
800-356-3910
www.bachmanntrains.com
Printed in China